



Z1222 UNIVERSAL INSTALLATION SHEET

Dimensional Data (inches and [mm]) are Subject to Manufacturing Tolerances and Change Without Notice

FIX. NAME	FIX. NO.	B	C	D	E	F	G	H	DETAIL
AMERICAN STANDARD									
WASHBROOK	6501.010	39-3/4 [1010]	24 [610]	13-1/2 [343]	1-3/16 [30]	14-3/4 [375]	7 [179]	42 [1067]	1
	6506.011	39-3/4 [1010]	24 [610]	13-1/2 [343]	1-3/16 [30]	14-3/4 [375]	7 [179]	42 [1067]	1
	6515.125	39-3/4 [1010]	24 [610]	13-1/2 [343]	1-3/16 [30]	14-3/4 [375]	7 [179]	42 [1067]	1
	6590.125	39-3/4 [1010]	24 [610]	13-1/2 [343]	1-3/16 [30]	14-3/4 [375]	7 [179]	42 [1067]	1
	6590.525	39-3/4 [1010]	24 [610]	13-1/2 [343]	1-3/16 [30]	14-3/4 [375]	7 [179]	42 [1067]	1
ALLBROOK	6541.132	31-3/4 [806]	24 [610]	1-3/16 [30]	19/32 [15]	9-3/4 [248]	7 [179]	36 [914]	3
TRIMBROOK	6561.017	38-3/8 [975]	24 [610]	11 [279]	1-3/16 [30]	16-3/4 [425]	7 [179]	42 [1067]	1
ELJER									
CORRECTO	161-1030	40-1/8 [1019]	24 [610]	12 [305]	1 [25]	14-3/4 [375]	7 [179]	48 [1219]	1
	161-1045	40-1/8 [1019]	24 [610]	12 [305]	1 [25]	14-3/4 [375]	7 [179]	48 [1219]	1
	161-1060	40-1/8 [1019]	24 [610]	12 [305]	1 [25]	14-3/4 [375]	7 [179]	48 [1219]	1
	161-1075	40-1/8 [1019]	24 [610]	12 [305]	1 [25]	14-3/4 [375]	7 [179]	48 [1219]	1
SAVON	161-1090	36-1/2 [927]	24 [610]	11 [279]	1 [25]	12-3/4 [324]	7 [179]	42 [1067]	1
	161-1095	36-1/2 [927]	24 [610]	11 [279]	1 [25]	12-3/4 [324]	7 [179]	42 [1067]	1
DOVER	161-1160	33-1/8 [841]	24 [610]	6 [152]	1 [25]	8-3/4 [222]	6 [152]	36 [914]	1
BEDFORDSHIRE	161-1190	32-1/8 [816]	24 [610]	6 [152]	1 [25]	15-1/8 [384]	6 [152]	36 [914]	1
SIGNATURE	161-2090	36-1/2 [927]	24 [610]	11 [279]	1 [25]	12-3/4 [324]	6 [152]	42 [1067]	1
	161-2095	36-1/2 [927]	24 [610]	11 [279]	1 [25]	12-3/4 [324]	6 [152]	42 [1067]	1
KOHLER									
BARDON	K-4904-ET	41-1/4 [1048]	24 [610]	12 [305]	1 [25]	12-1/2 [318]	7 [179]	48 [1219]	1
BARDON	K-4960	41-1/4 [1048]	24 [610]	12 [305]	1 [25]	12-1/2 [318]	7 [179]	48 [1219]	1
FRESHMAN	K4989-T	36-1/4 [921]	24 [610]	10 [254]	1 [25]	12-1/2 [318]	7 [179]	48 [1219]	1
ZURN									
URINAL	Z5730	31-3/4 [806]	24 [610]	1 [25]	1/2 [13]	11 [279]	10 [254]	36 [914]	3
SMALL PINT	Z5738	32 [813]	24 [610]	1 [25]	1/2 [13]	11 [279]	10 [254]	36 [914]	3
URINAL*	Z5740	31-3/4 [806]	24 [610]	1 [25]	1/2 [13]	11 [279]	10 [254]	36 [914]	3
SMALL WATERLESS*	Z5796	30-7/8 [784]	24 [610]	1 [25]	1/2 [13]	8 [203]	8 [203]	36 [914]	3

*Only use top two holes in hanger bracket to mount fixture

- ⚠ **WARNING:** Cancer and Reproductive Harm - www.P65Warnings.ca.gov
- ⚠ **ADVERTENCIA:** Cáncer y daño reproductivo - www.P65Warnings.ca.gov
- ⚠ **AVERTISSEMENT:** Cancer et effets néfastes sur la reproduction - www.P65Warnings.ca.gov

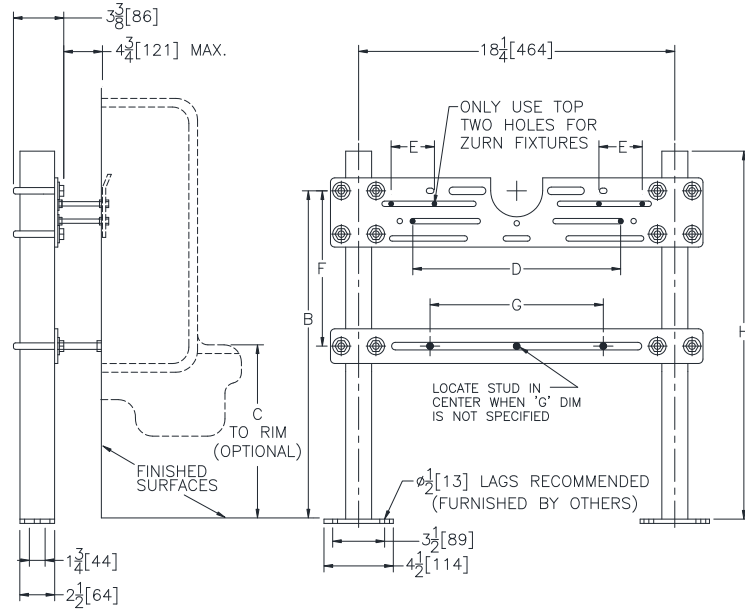


Z1222 UNIVERSAL INSTALLATION SHEET

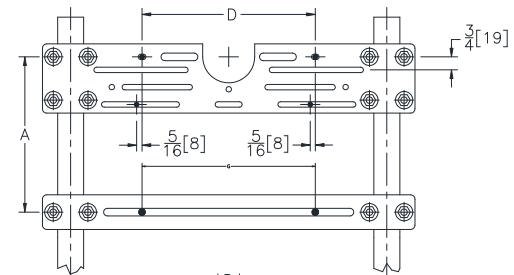
Dimensional Data (inches and [mm]) are Subject to Manufacturing Tolerances and Change Without Notice

PARTS LIST

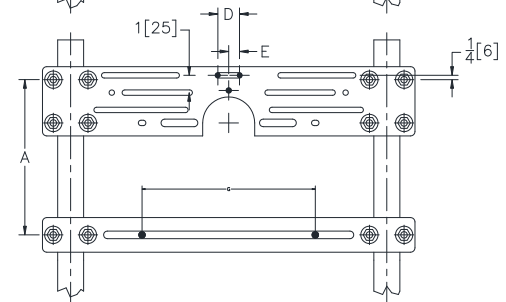
- (1) #222 HARDWARE BAG (66955-222)
 CONTAINS:
 (1) UNIVERSAL TOP PLATE
 55846-001
 (1) UNIVERSAL BEARING PLATE
 55845-001
 (1) #241 HARDWARE BAG
 66955-241



DETAIL 1



DETAIL 2



DETAIL 3